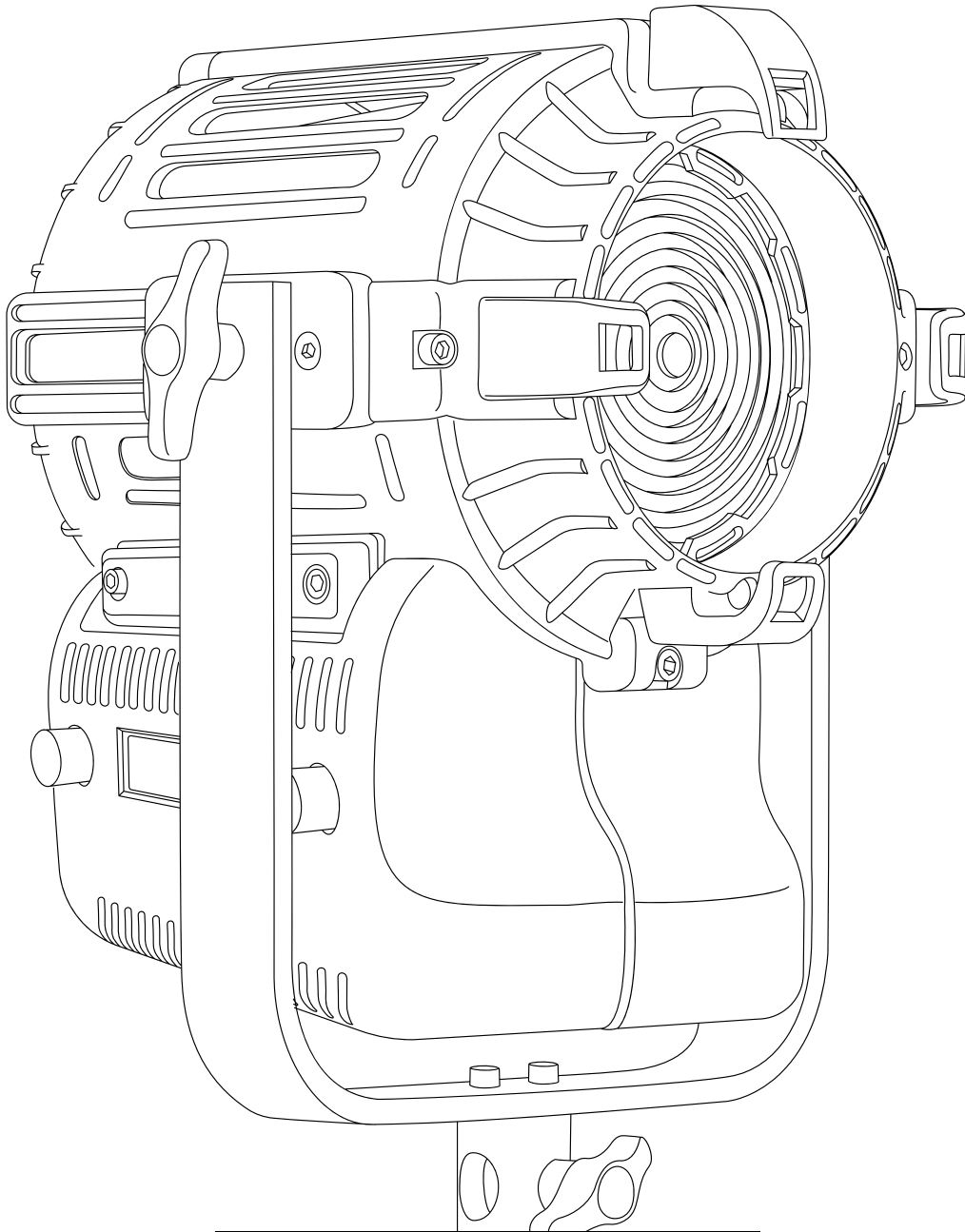


Lupo
Made in Italy



Cod 303 PRO

DayledPRO Dual Color 650

Technical Data

Dimensions (cm)	212 x 279 x 269 mm
Dimensions (in)	8.3 x 10.9 x 10.5 in
Weight (kg)	5 kg
Weight (lb)	11 lb
CRI (Colour Rendering Index)	96
TLCI (Television Lighting Consistency Index)	95
Estimated LED lifetime (L80)	50,000 hours
LED COB	60 W
Dimmer 0 - 100	included
Dimming curves mode	Linear, Exponential, Logarithmic
Connection for 14.8 V battery with standard XLR 4 pin connector (pin 1: negative / pin 4: positive)	included
Standard XLR 5 pin connectors to DMX console	included
Watt consumption	60 W
Fresnel lens	120 mm
Firmware upgrades	through USB port
Colour temperature	2800 K - 6500 K
Voltage AC	90 V - 240 V
Light beam	15° - 50°
Frequency (input)	50 / 60 Hz
Compliance	CE
Remote control	Bluetooth Long Range / DMX / RDM
Ambient temperature	Max: + 45°C / Min: - 10°C
Power Factor	0.96

Photometric data

Distance	6500 K		5600 K		3200 K	
	spot	flood	spot	flood	spot	flood
Lux at 1 m - 3.2 ft	24000	3100	20000	2950	15000	2300
Lux at 2 m - 6.5 ft	5400	700	4900	780	3300	530
Lux at 3 m - 9.8 ft	2200	330	2000	360	1500	270
Lux at 4 m - 13.1 ft	1050	190	980	160	820	160
Lux at 5 m - 16.4 ft	680	130	600	120	510	105

Mode Options

CCT (Correlated Color Temperature)

Mode for variable color temperature control from 2700 K to 10000 K with the addition of plus and minus green/magenta offset.

HSI (Hue, Saturation and Intensity)

Mode for full color control.

RGBW

Mode for control of Red, Green, Blue and White independently.

Preset

Mode for a selected variety of gels.

Technical Drawing

